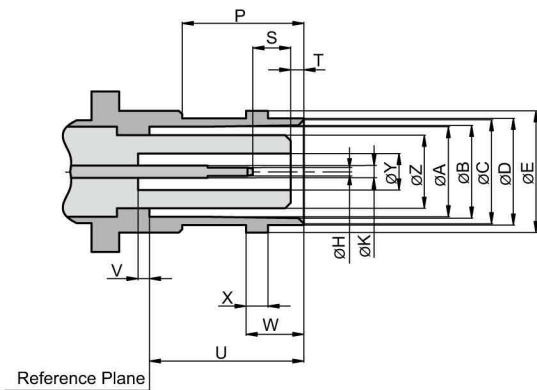


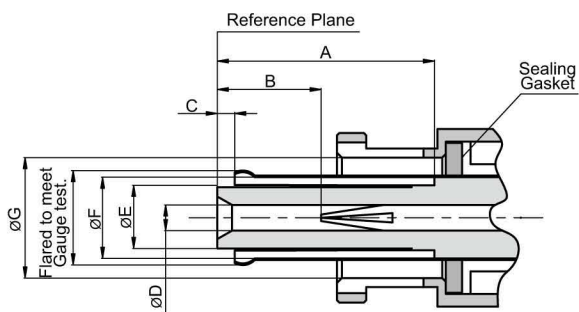
## SHV CONNECTOR SPECIFICATIONS

### JACK:



Letter	Millimeters (inch)	
	Minimum	Maximum
A	8.10(.319)	8.15(.321)
B	8.33(.328)	8.46(.333)
C	8.81(.347)	9.07(.357)
D	9.60(.378)	9.70(.382)
E	10.97(.432)	11.07(.436)
H	1.32(.052)	1.37(.054)
K	2.06(.081)	2.11(.083)
P	10.85(.427)	–
S	4.78(.188)	5.28(.208)
T	1.55(.061)	1.98(.078)
U	15.90(.626)	16.00(.630)
V	1.63(.064)	2.18(.086)
W	5.18(.204)	5.28(.208)
X	1.90(.075)	2.06(.081)
Y	4.83(.190)	4.98(.196)
Z	–	6.60(.260)

### PLUG:



Letter	Millimeters (inch)	
	Minimum	Maximum
A	15.95(.628)	16.05(.632)
B	6.05(.238)	6.65(.262)
C	1.17(.046)	1.63(.064)
D	2.08(.082)	–
E	4.57(.180)	4.72(.186)
F	6.71(.264)	–
G	9.78(.385)	9.91(.390)

## SHV CONNECTOR SPECIFICATIONS

### TECHNICAL DATA

Electrical Data	
Dielectric Withstanding Voltage (at sea level, in V rms, 50 Hz)	5000
Working Voltage (at sea level, in V rms, 50 Hz)	≤3500
Corona Extinction Voltage (at 21000m, in V rms, 50 Hz)	≥350
Impedance	50Ω
Frequency Range	DC up to 300 MHz
Insulation Resistance	≥5000MΩ
Contact Resistance Inner conductor	≤2mΩ
Contact Resistance Outer conductor	≤1.5mΩ
Current Rating, continuous	≤10A

Mechanical Data	
Coupling Nut Torque	0.6 to 2.5 in.-lbs
Coupling Nut Retention Force	≥101.2 lbs
Contact Captivation	≥6.1 lbs
Durability (matings)	≥500

Environmental Data	
Temperature Range	-65°C...+165°C
Thermal Shock	MIL-STD-202, Method 107, Condition B
Moisture Resistance	MIL-STD-202, Method 103, Condition B
Corrosion	MIL-STD-202, Method 101, Condition B

### VSWR

Frequency Range: DC~300MHz

VSWR: DC~100MHz ≤ 1.1

DC 100~300MHz ≤ 1.20